



SPECIFICATIONS

SUPPLY VOLTAGE	: 20-240V AC, 12-240V DC, AC : (50 / 60 Hz)
OUTPUT CONTACT	: 1 C/O (SPDT)
RELAY RATING	: NO/5A, NC/3A @250V AC
TIME RANGES	: 0.1 - 1 sec, 0.3 - 3 sec, 1 - 10 sec, 3 - 30 sec 0.1 - 1 min, 0.3 - 3 min, 1 - 10 min, 3 - 30 min 0.1 - 1 hr, 0.3 - 3 hr
ACCURACY	: Setting: $\pm 5\%$ of full scale Repeat: $\pm 0.5\%$
POWER CONSUMPTION	: 4VA max.
RESET TIME	: Less than 100 msec.
SIZE (IN MM)	: 17.5(W) x 90(H) x 60(D)
HOUSING	: Flame retardant engineering plastic.
MOUNTING	: DIN rail mounting.
TEMPERATURE	: Operating: 0 to 50°C Storage: -20 to 75°C
HUMIDITY	: Up to 95% RH.
CONNECTING CAPACITY	: Rigid: 1 x 4mm ² - 2 x 2.5mm ² Flexible with ferrules: 1 x 2.5mm ² - 2 x 1.5mm ²
TIGHTENING TORQUE	: 0.6 to 0.8 Nm
WEIGHT	: 64 gms

Please maintain these instructions and review them before using the unit:

⚠ Warning :

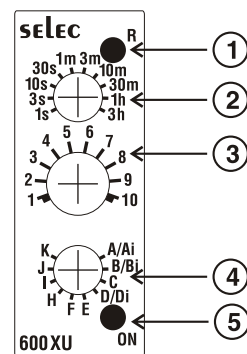
1. The equipment is built-in type with Class II construction and is protected by reinforced insulation.
2. The power should be turned off while wiring and maintenance to prevent the risk of electric shock. Do not touch any terminal when the power is ON.
3. Wiring shall be done strictly according to the terminal layout with shortest connections.

4. Fuse Protection: The equipment does not have Built-in fuse. External fuse of rating 275V DC/1 A is recommended.

⚠ Caution:

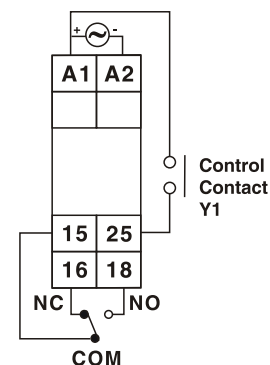
1. This unit is not intended for outdoor use.
2. Field installed conductors shall be rated 75°C only
3. The output connections must not be loaded beyond the specified values/range.
4. Avoid inflow of dust and contact of conductive material with the internal circuitry of the unit.
5. Clean the equipment with a soft cloth. Do not use any organic solvents like Isopropyl alcohol for cleaning.

FRONT PANEL DESCRIPTION



- 1 - Green LED Indicates Relay ON
- 2 - Knob for time range selection
- 3 - Knob for time selection
(The marking 1 to 10 represent timing in proportion to the full scale time range)
- 4 - Knob for operating mode selection
- 5 - Red LED Indicates Power ON

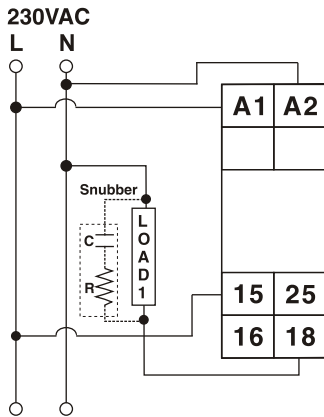
TERMINAL CONNECTION



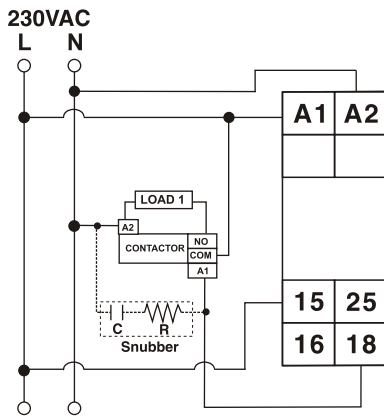
Terminal	Description
A1	L (+) TIMER SUPPLY
A2	N (-) TIMER SUPPLY
15	COM
16	NC
18	NO
25	Y CONTACT

TYPICAL LOAD CONNECTIONS

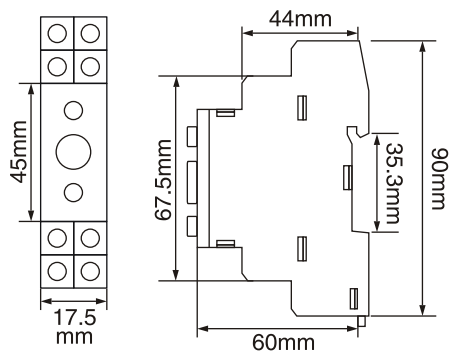
1. For load current less than 0.5A



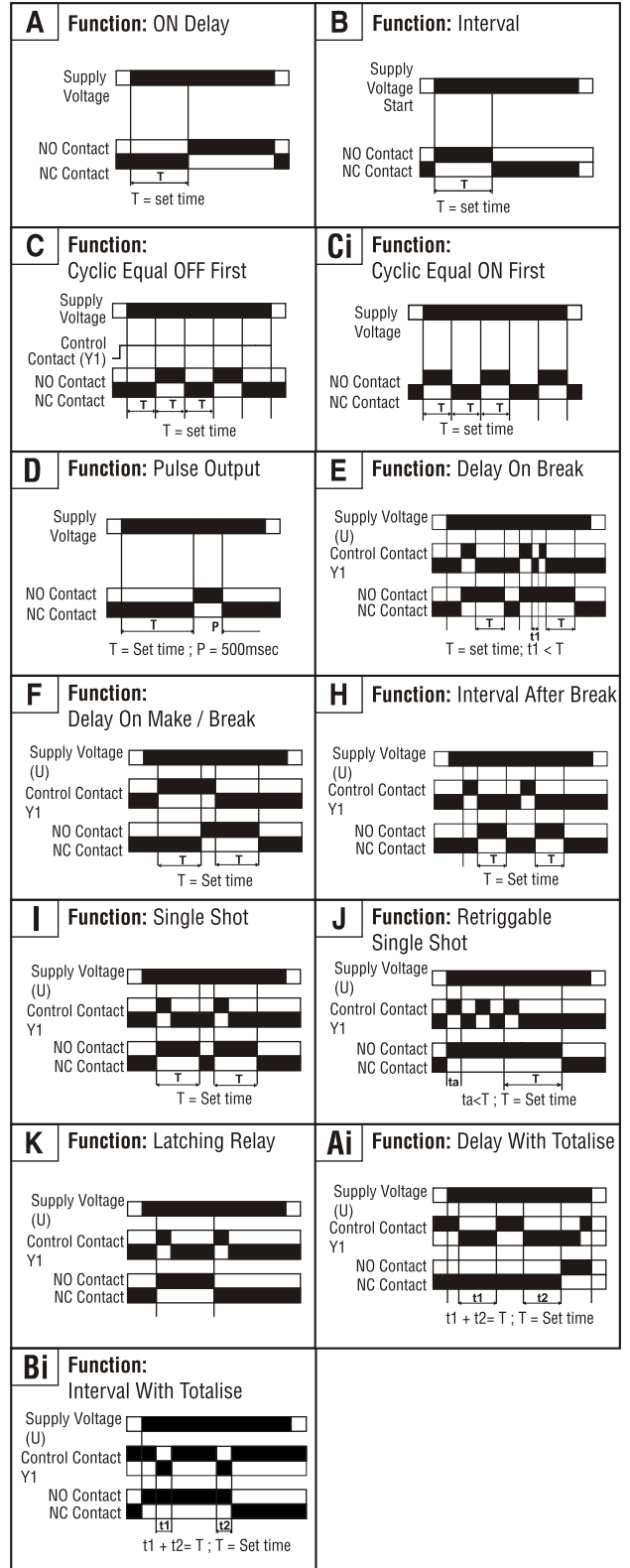
2. For bigger loads, use interposing relay/contactor



MECHANICAL INSTALLATION



MODE OF OPERATION



(Specifications are subject to change, since development is a continuous process)

Selec Controls Pvt. Ltd.

Tel. No. : +91-22-40394200 / 40394202

Fax No. : +91-22-28471733 | Toll free : 1800 227 353

Website: www.selec.com | Email: sales@selec.com